

HB011-PDX

PIR Dimming Sensor with Daylighting

Product Description

The HB011-PDX Passive Infrared Dimming Occupancy sensor is specifically designed for high mounted areas such as warehouses, manufacturing and other high ceiling applications. It is a self-contained sensor and relay that detects motions using PIR technology to sense motion in the field-of-view and automatically switch on. The daylight sensor is sensitive to ambient light and is automatically calibrated for daylighting usage. The sensor is provided with two interchangeable lens rings that allow users to select between a 360° High Bay or Low Bay pattern with the included aisle mask.

Features

- All polymer, fully sealed body
- 1/2" NPT threaded nipple mounts directly into a KO at the end of the fixture
- 4 individual control knobs allow for customized settings
- Auto Calibration for daylighting, easy ladderless configuration
- Integrated photocell
- Adjustable time delay
- 0-10V dimming
- Adjustable PIR sensitivity
- Daylighting configuration
- Visual LED indications for easy troubleshooting
- Field interchangeable lenses provide 360 degree field-of-view for 20' - 40' High Bay mounting heights or 360 degree field-of-view for 8' to 20' Low Bay mounting heights

Electrical

- Ratings 120-277V, 50/60 Hz.
- Maximum load: 8A @ 120V and 5A @ 277V
- During occupancy the integrated photocell controls a 0-10VDC dimmable LED driver to achieve maximum energy savings while maintaining a minimum light level
- Highly configurable: Detection Area, Time Delay, Daylight Threshold, Dimming Level
- 5 wire connection : 3 load, 2 dimming (0-10V)

Dimming Leads

- Minimum load .1mA
- 0-10VDC dimmable ballasts or LED drivers only
- 20 mA maximum load
- 0-100% continuous dimming

Warranty

- 5-year limited system warranty standard
- Note: Performance is of a representative fixture. Results may vary in the field as a result of installation environment and application.

Listings

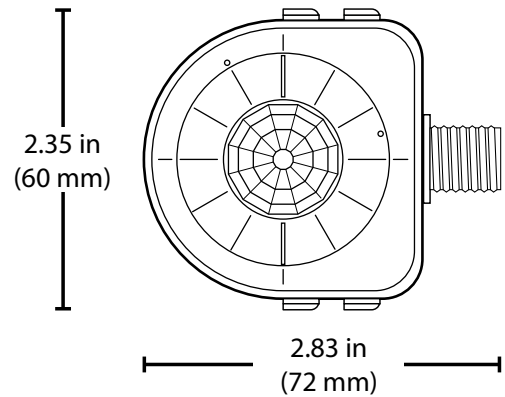
- UL Listed per UL773
- Meets ASHRAE 90.1 and Title 24 Energy Code requirements

Project

Catalog

Type

Date



Ordering Information

Series

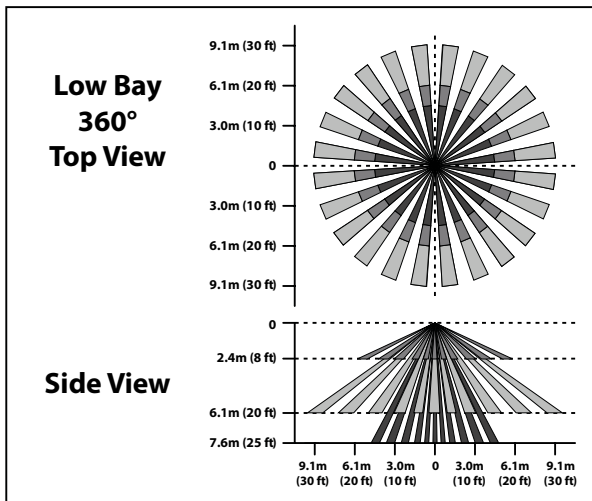
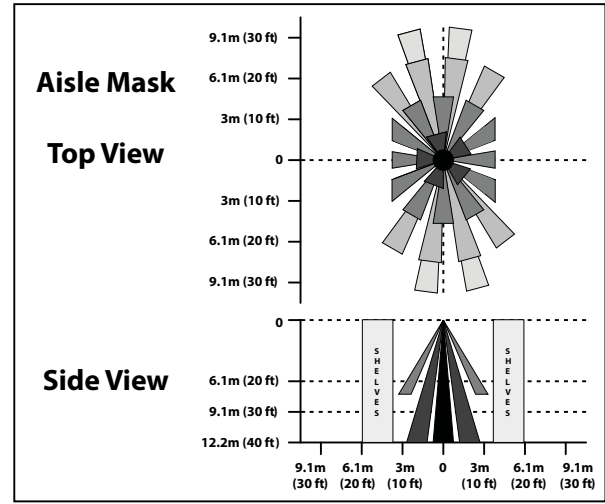
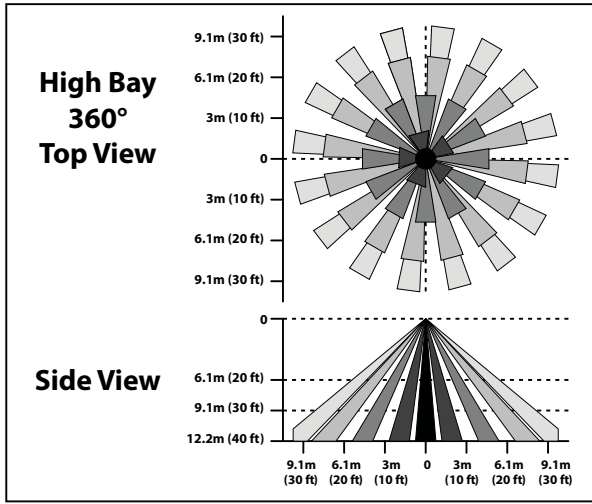
HB011-PDX

Example: HB011-PDX

Specifications and dimensions subject to change without notice

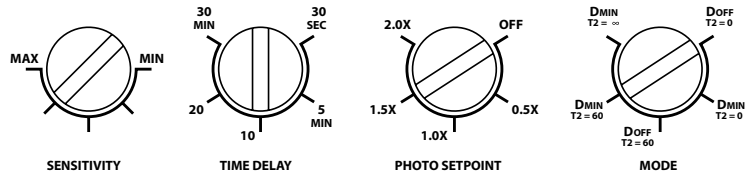
Coverage Information

The HB011-PDX is supplied with two lens trim rings. Field interchangeable lenses provide 360° field-of-view for 20' - 40' High Bay mounting heights or 360° field-of-view for 8' to 20' Low Bay mounting heights. The 360° High Bay lens (with the white trim ring) and the 360° Low Bay lens (with the blue color trim ring) are supplied in the carton. An aisle mask is included for aisle coverage if required. The fixture is standard with the High Bay lens, if desired for use in a Low Bay application (less than 20' mounting height) please change the lens to the blue color trim.

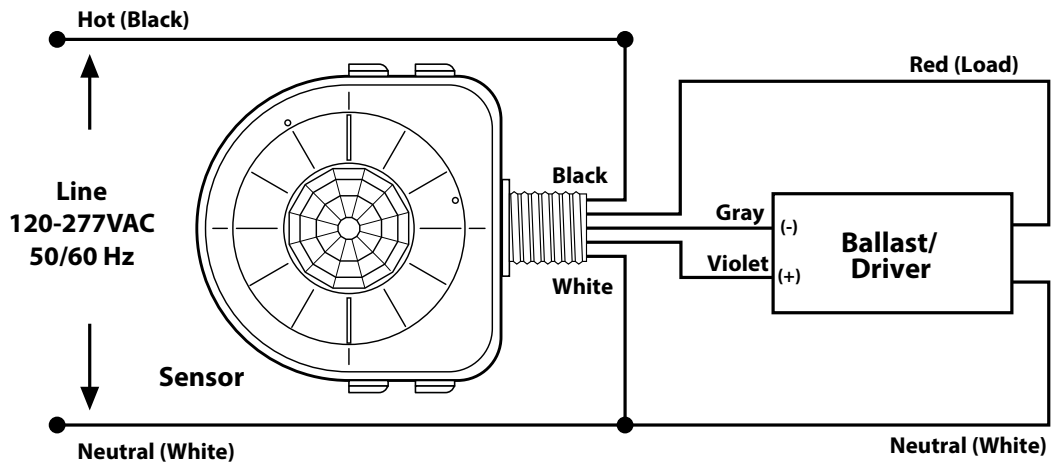


Factory Settings

FACTORY SETTINGS	
Configuration	Value
Time Delay	10 minutes
PIR Sensitivity	75% of maximum
Photocell Setpoint	OFF
Mode	DOFF T2 = 0
Installed Lens	White - High Bay



Wiring Information



This device complies with part 15 of the FCC Rules. Operation is subject to the following two conditions: (1) This device may not cause harmful interference, and (2) this device must accept any interference received, including interference that may cause undesired operation.

NOTE: This equipment has been tested and found to comply with the limits for a Class C digital device, pursuant to part 15 of the FCC Rules. These limits are designed to provide reasonable protection against harmful interference when the equipment is operated in a commercial environment. This equipment generates, uses, and can radiate radio frequency energy and, if not installed and used in accordance with the instruction manual, may cause harmful interference to radio communications. Operation of this equipment in a residential area is likely to cause harmful interference in which case the user will be required to correct the interference at his own expense.